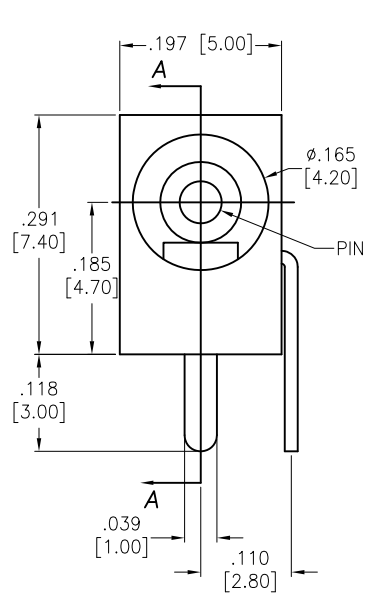


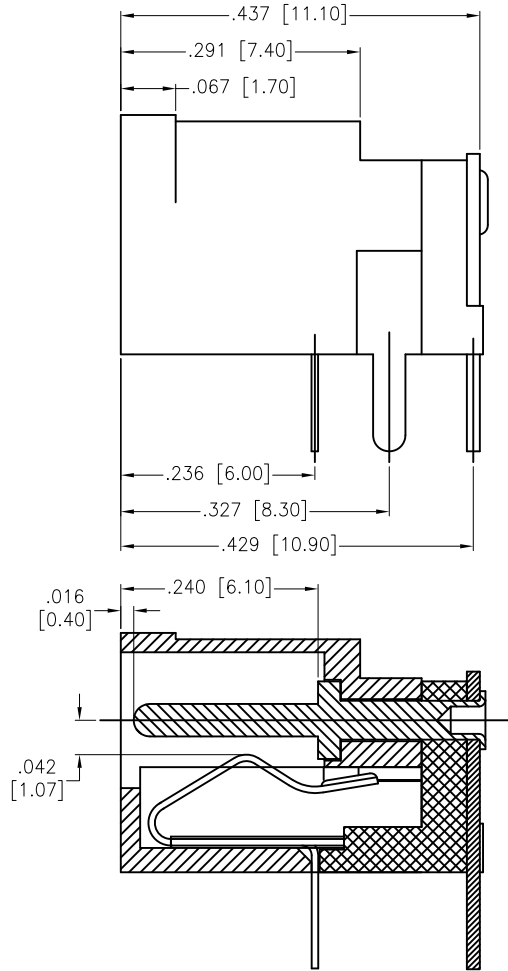
APPROVED: _____

DATE: _____ TITLE: _____

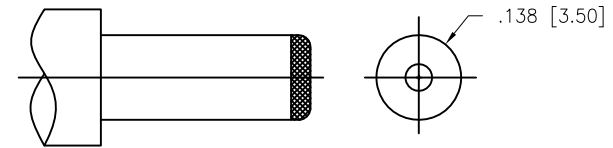
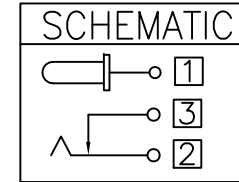
Rev	AWO #	Description	Date	Appr
-		RELEASED	12/10/04	
A		ADDED RoHS TO SPECS	03/09/05	
B		REVISED DIM.	3/23/09	
C		REVISED SPEC.	10/21/13	AY/GH
D		ADDED DIM.	12/24/13	TW/GD



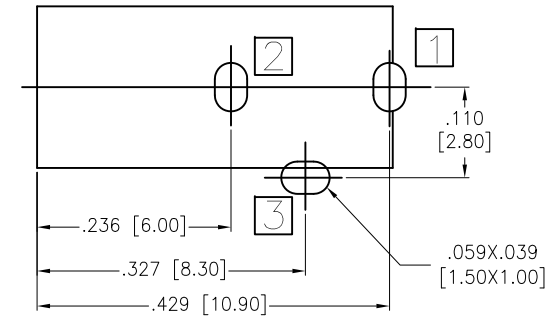
PART NO.	PIN
ADC-007-3	Ø.039 [1.00]
ADC-007-4	Ø.051 [1.30]
ADC-007-8	Ø.026 [0.65]



SECTION A-A



DC MATE PLUG



RECOMMENDED PCB LAYOUT

SPECIFICATIONS:

Material:
 Insulator: PBT, Glass reinforced, rated UL 94V-0
 Insulator color: Black
 Center Pin: Copper Alloy, Nickel plated
 Spring: Stainless steel
 Contacts: Brass
 Plating:
 Silver over Nickel underplate
 Electrical:
 Operating voltage: 30 VDC max.
 Current rating: 1 Amp max.
 Contact resistance: 50 mohms max. initial
 Insulation resistance: 100 Mohms min.
 Dielectric withstanding voltage: 500 VAC for 1 minute
 Temperature Rating:
 Operating temperature: -20°C to +70°C
 Environmental:
 Lead free, RoHS compliant



UNLESS OTHERWISE SPECIFIED
 ALL DIMENSIONS ARE INCHES [MM]
 TOLERANCES: EXCEPT AS NOTED

INCHES		HOLES	
.X	± .10	Ø.X	± .10
.XX	± .020	Ø.XX	± .015
.XXX	± .015	Ø.XXX	± .010

APPROVALS		DATE
DRAWN	SS	10/4/04
CHECKED		
APPROVED		

ADAM TECH

909 Rahway Avenue, Union, NJ 07083
 Phone: 908-687-5000 Fax: 908-687-5710

TITLE			
DC POWER JACK, 0.65mm, 1.00mm, 1.30mm CENTER PIN			
SIZE	PART NO.	REV.	
X	ADC-007-X	D	
REF:	S00002C	SCALE: NTS	SHEET 1 OF 1